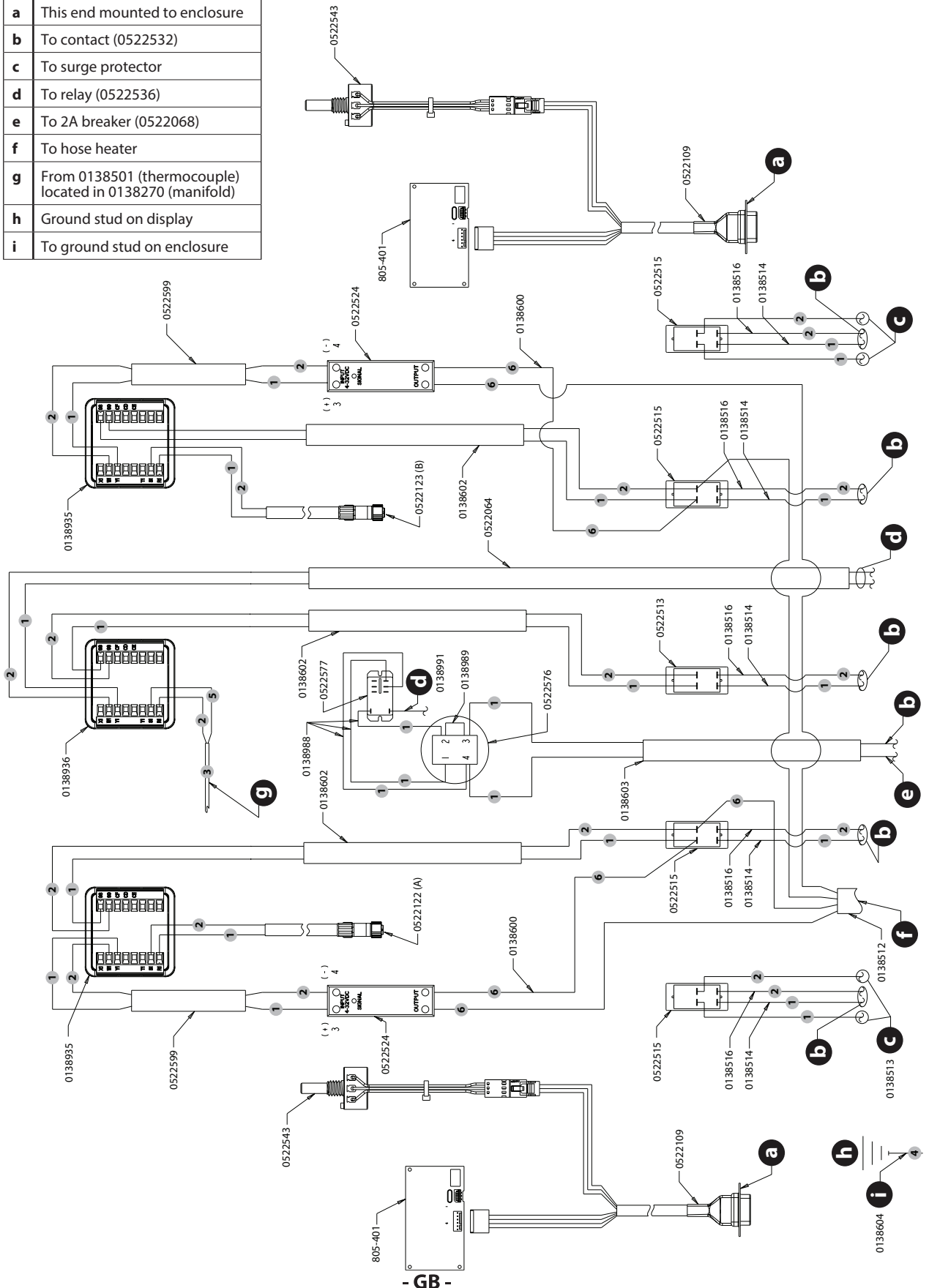
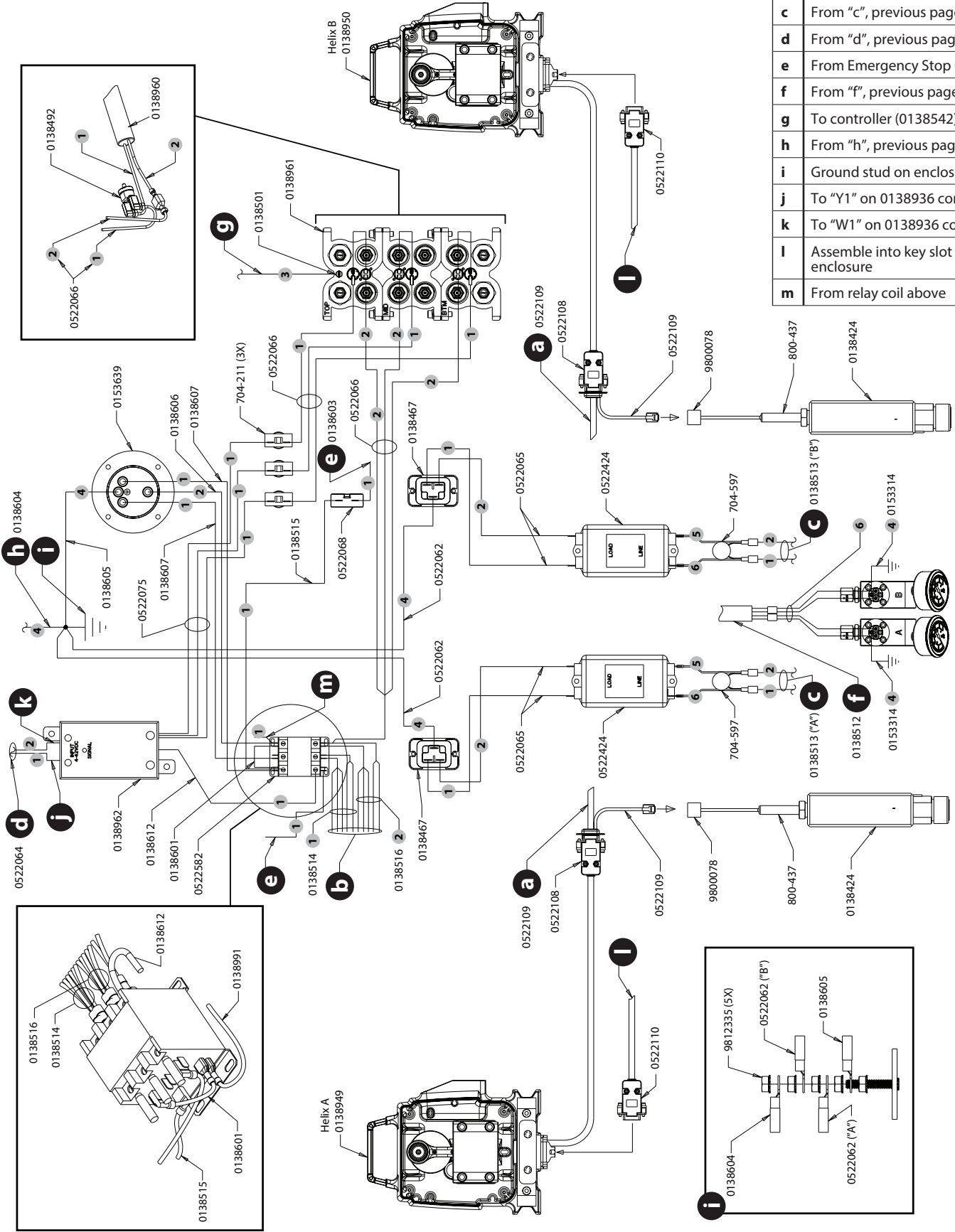


9.7 ELECTRICAL SCHEMATIC (MODEL 0138013)

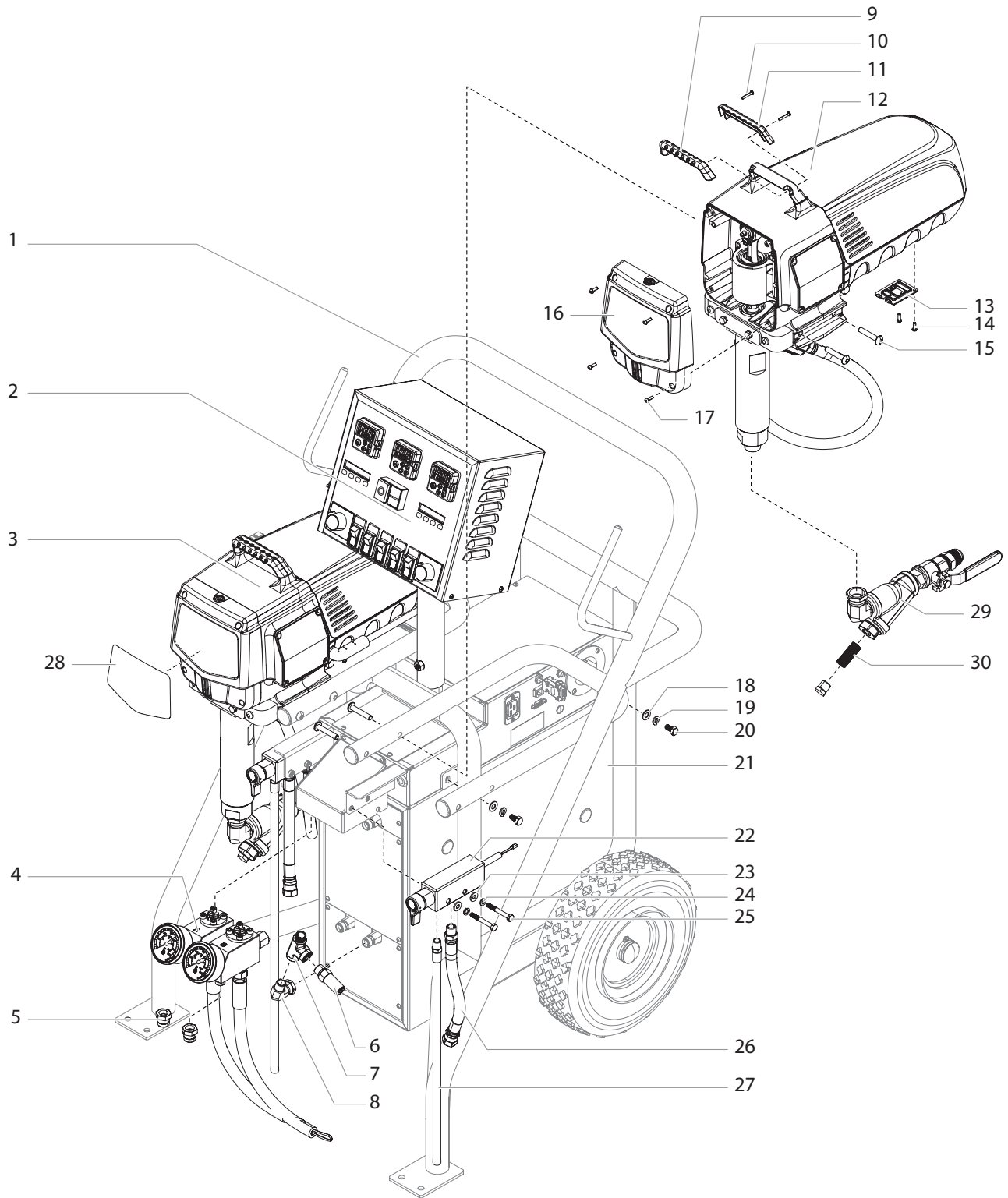
Wiring		Notes (refer to next page)	
1	Black	a	This end mounted to enclosure
2	Red	b	To contact (0522532)
3	White	c	To surge protector
4	Green	d	To relay (0522536)
5	Blue	e	To 2A breaker (0522068)
6	Brown	f	To hose heater
		g	From 0138501 (thermocouple) located in 0138270 (manifold)
		h	Ground stud on display
		i	To ground stud on enclosure



Notes (refer to previous page)	
a	This end mounted to enclosure
b	From switches
c	From "c", previous page
d	From "d", previous page
e	From Emergency Stop (0522516)
f	From "f", previous page
g	To controller (0138542)
h	From "h", previous page
i	Ground stud on enclosure
j	To "Y1" on 0138936 controller
k	To "W1" on 0138936 controller
l	Assemble into key slot in enclosure
m	From relay coil above



MAIN ASSEMBLY



Pos.	Helix A / B	Description
1*	-----	Cart assembly
2*	-----	Control panel assembly
3*	-----	Pump assembly, A side
4	0521238	Surefire™ heated hose assembly, 200'
	0138296	Surefire™ heated hose assembly, 100'
5	0138597	Plug (2)
6	0138489	Relief valve (2)
7	424-671	Tee fitting (2)
8	0090447	Elbow (2)
9	805-333	Front cover handle (2)
10	9805317	Screw (2)
11	805-332	Rear cover handle (2)
12*	-----	Pump assembly, B side
13	0138037	Port cover (2)
14	700-139	Screw (4)
15	9805348	Screw (8)

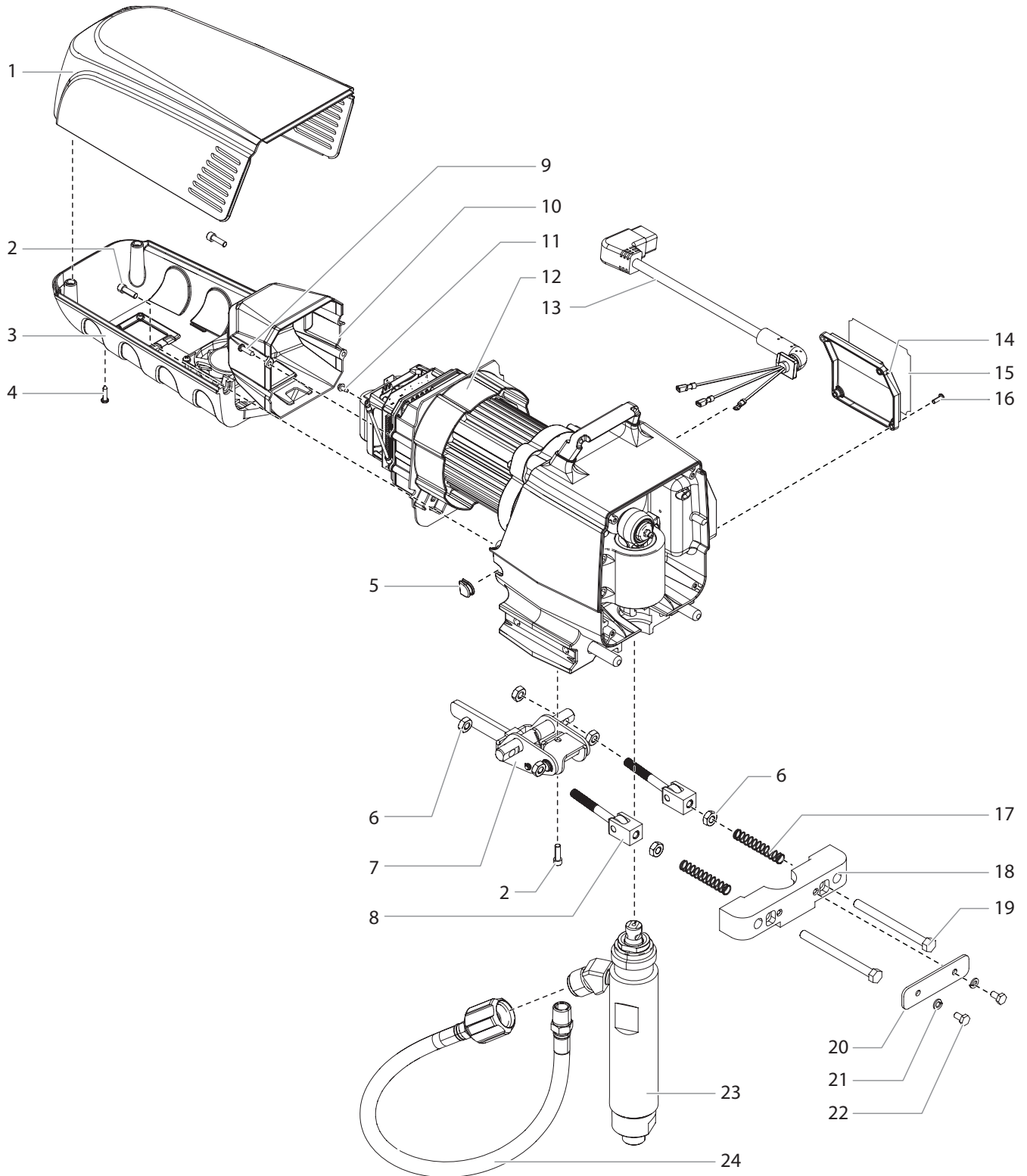
Pos.	Helix A / B	Description
16	805-250A	Face plate / oiler assembly (2)
17	700-139	Screw (8)
18	756-088	Washer (4)
19	860-002	Lock washer (4)
20	9805438	Screw (4)
21*	-----	Surefire™ heater block assembly
22*	-----	PRIME/SPRAY valve assembly (2)
23	770-601	Washer (4)
24	9821503	Lock washer (4)
25	9805437	Screw (4)
26	2444109	Hose, A side
	2444109	Hose, B side
27	800-904	Bleed hose (2)
28	0138852	Label, A side
	0138853	Label, B side
29	0138285	Y strainer valve assembly (2)
30	0138038	Y strainer screen (2)

* See separate listing



When ordering any part number, you will receive a quantity of 1 of that part. If multiples of any part need to be ordered, please specify when ordering.

COMPONENT PUMP ASSEMBLY



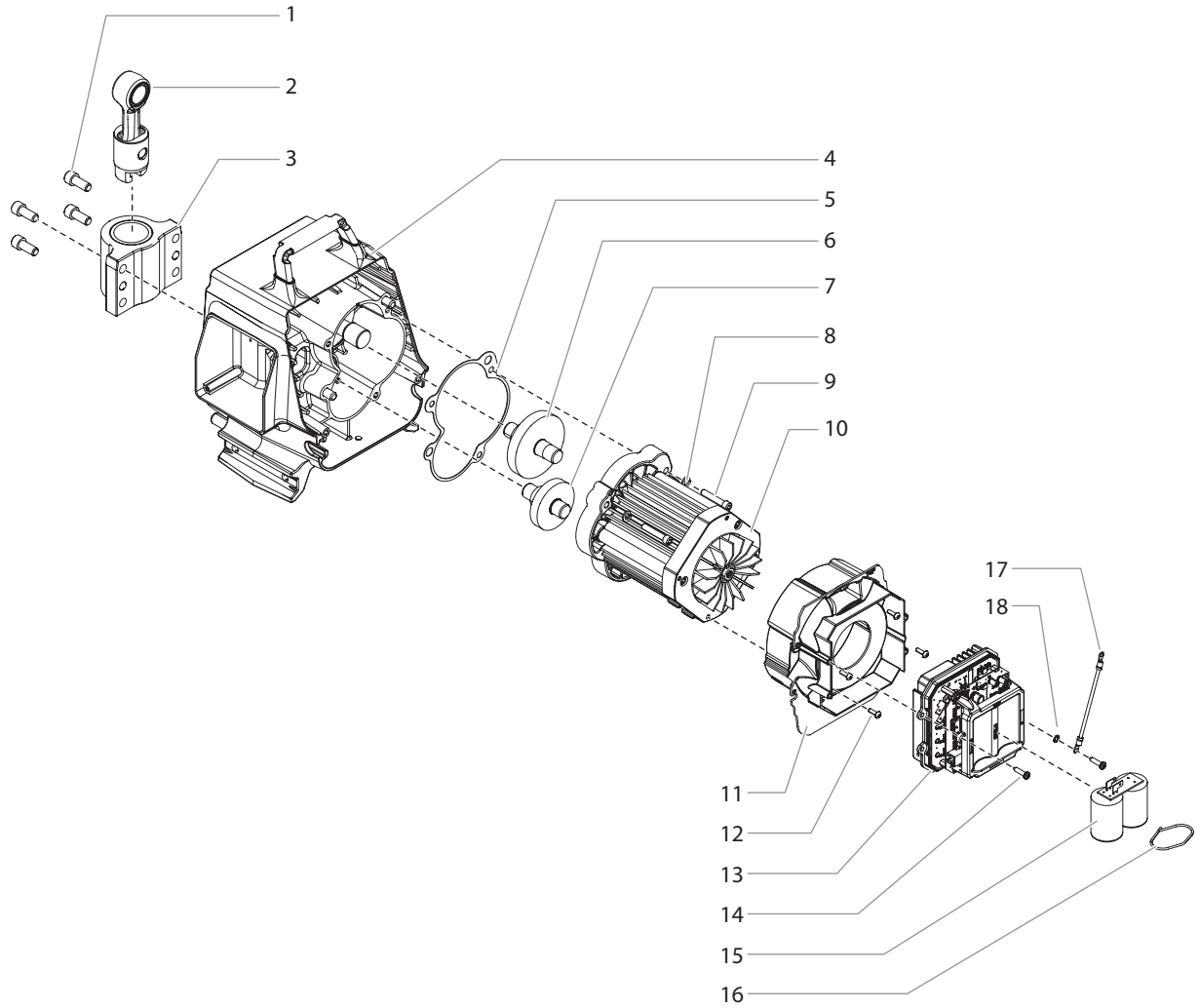
Pos.	Helix A	Helix B	Description
1	805-625	805-625	Motor shroud
2	700-681	700-681	Screw (3)
3	0138957A	0138957A	Belly pan assembly
4	9802266	9802266	Screw (2)
5	0138519	0138518	Plug
6	9812320	9812320	Nut (6)
7	805-286A	805-286A	Lever assembly
8	805-287A	805-287A	Clevis assembly (2)
9	9802266	9802266	Screw (2)
10	805-462	805-462	Electronic cover
11	9800340	9800340	Ground screw (2)
12*	-----	-----	Drive assembly
13	0138466	0138465	Power cord assembly
14	0552554A	0552554A	Panel
15	0138872	0138872	Label
16	700-139	700-139	Screw (4)
17	9894274	9894274	Spring (2)
18	805-464	805-464	Retainer
19	9805362	9805362	Bolt (2)
20	0558795	0558795	Plate
21	9821503	9821503	Lock washer (2)
22	858-625	858-625	Screw
23*	0138039A	0138277A	Fluid section assembly
24	2444121	2444121	Hose

* See separate listing



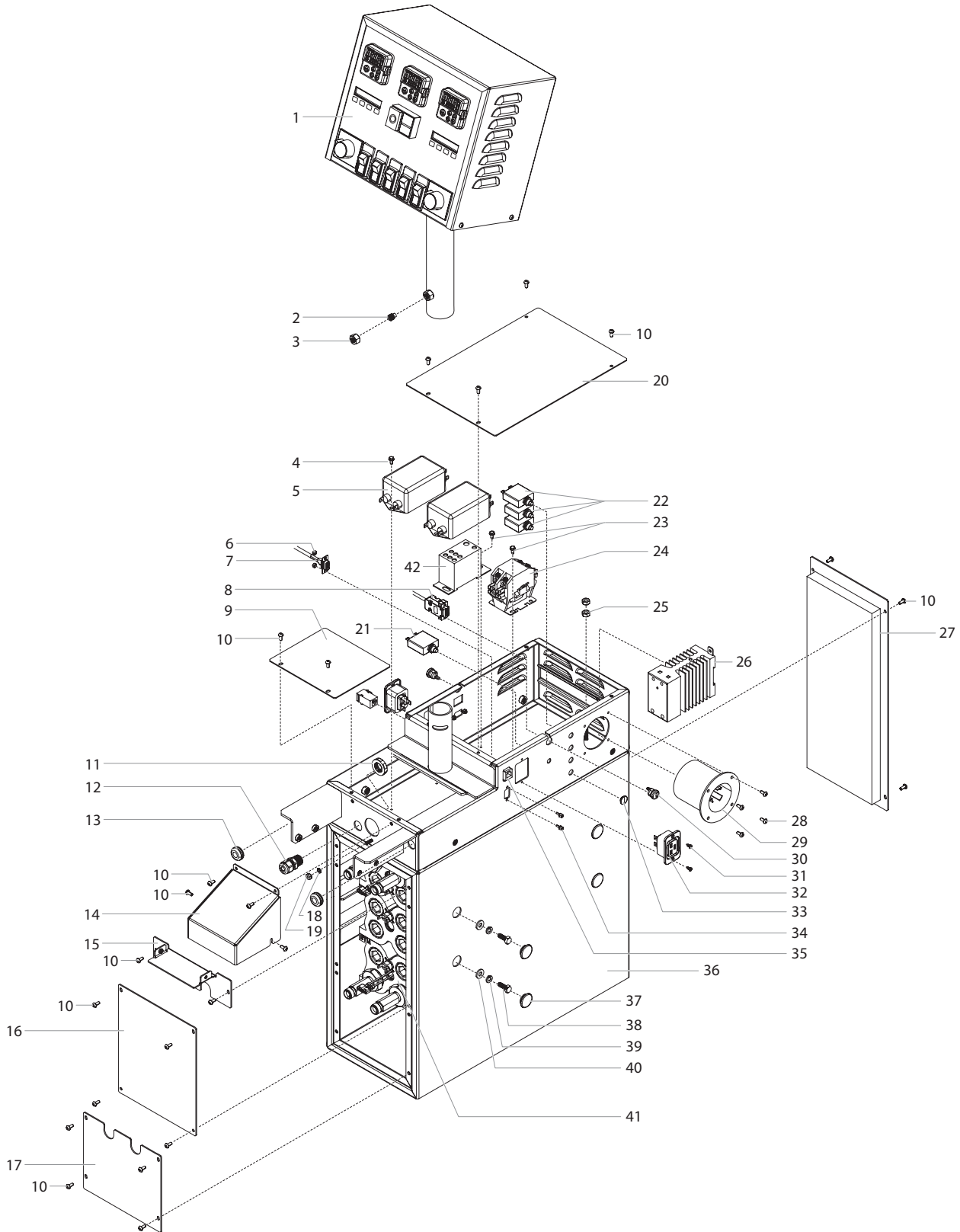
This parts list applies for both Pump A and Pump B. Items 5 and 13 are installed in different locations, depending upon the pump.

DRIVE ASSEMBLY



Pos.	Helix A	Helix B	Description
1	700-283	700-283	Screw (4)
2	0558572A	0558572A	Slider assembly
3	805-248A	805-248A	Slider housing
4	0558342A	0138956A	Housing assembly
5	800-525	800-525	Gasket
6	0558362A	0558362A	3rd stage gear
7	0558363A	0558363A	2nd stage gear
8	9821503	9821503	Lock washer (3)
9	700-287	700-287	Screw (3)
10	0558737A	0558737A	Motor assembly
11	805-460	805-460	Motor baffle
12	700-139	700-139	Screw (4)
13	0138971	0138972	Electronic control assembly
14	9802266	9802266	Screw (2)
15	0522051	0522051	Capacitor assembly
16	770-099	770-099	Tie wrap
17	0522040	0522040	Wire assembly
18	9822106	9822106	Washer

HEATER BLOCK ASSEMBLY

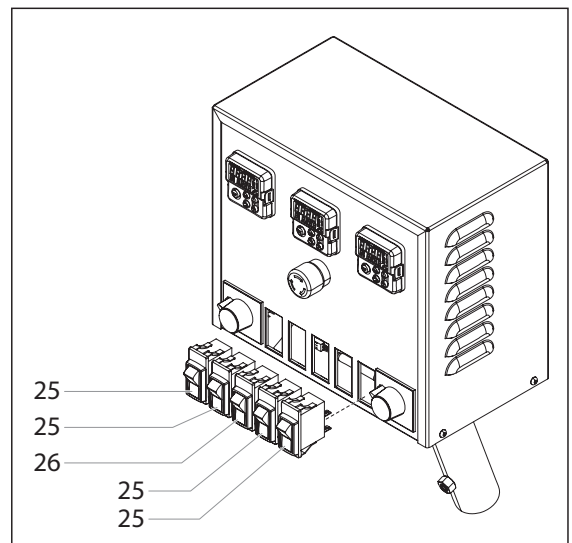
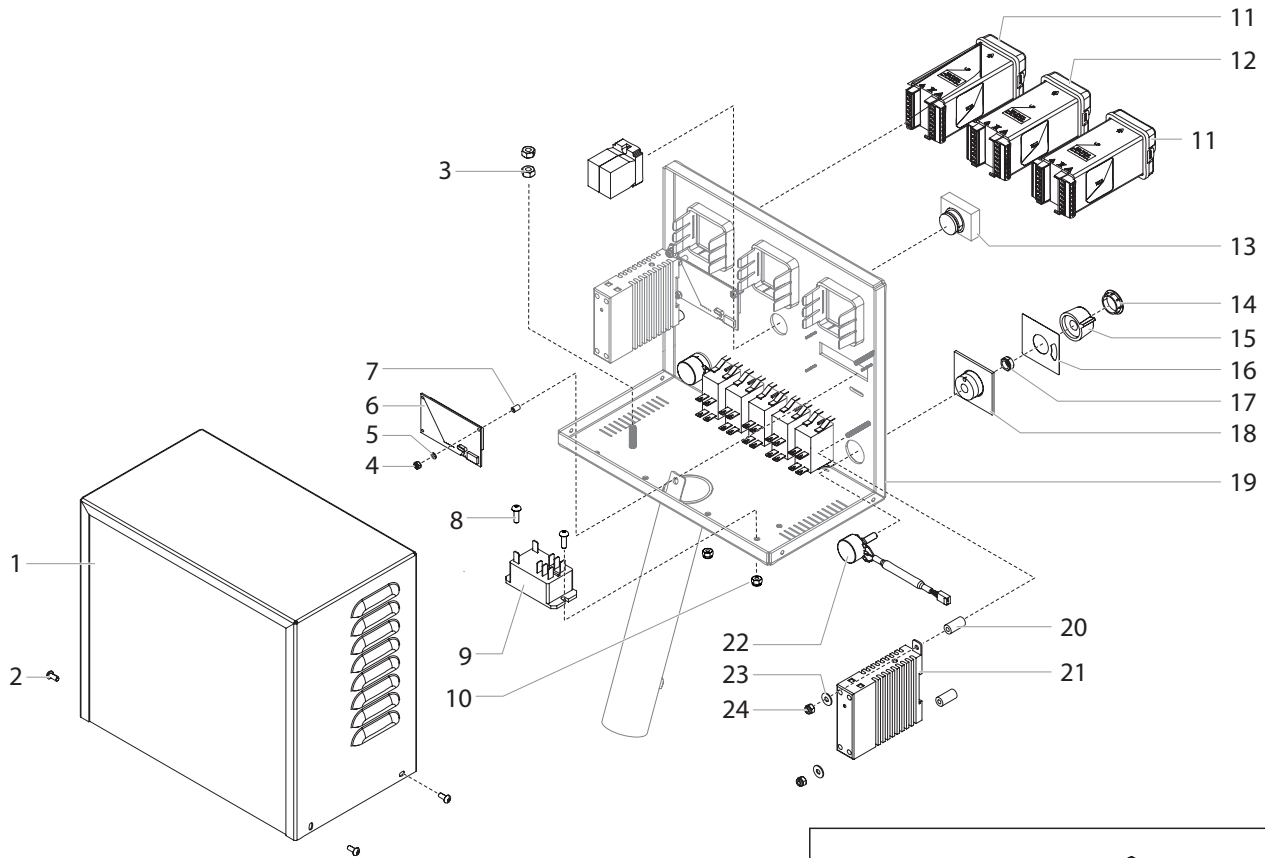


Pos.	Helix A / B 0138060	Helix A / B 0138013	Description
1*	-----	-----	Display assembly
2	9805436	9805436	Set screw
3	862-401	862-401	Jam nut
4	9800340	9800340	Screw (4)
5	0522424	0522424	EMI filter, 20A (2)
6	0293489	0293489	Nut (4)
7	0522109	0522109	Wire assembly (2)
8	0522110	0522110	Communication cable
9	0138493	0138493	Top enclosure, front
10	700-139	700-139	Screw (24)
11	0138534	0138534	Nut
12	0138533	0138533	Strain relief
13	0138471	0138471	Grommit (2)
14	0138452	0138452	Hose heater cover
15	0138482	0138482	Enclosure door assembly, front
16	0138451	0138451	Enclosure door, front, middle
17	0138494	0138494	Enclosure door, front, bottom
18	9822106	9822106	Washer
19	0524353	0524353	Nut
20	0138453	0138453	Top enclosure, rear
21	0522068	0522068	Circuit breaker, 2 A

Pos.	Helix A / B 0138060	Helix A / B 0138013	Description
22	704-211A	704-211A	Circuit breaker, 12 A (3)
23	9800340	9800340	Screw (6)
24	0522582	0522582	Contact, 40A
25	9812335	9812335	Nut (3)
26	0138962	0138962	Relay
27	0138446A	0138446A	Rear enclosure with insulation
28	9805287	9805287	Screw (4)
29	0138964	0153639	Receptacle
30	0138509	0138509	Strain relief (2)
31	9805440	9805440	Screw (4)
32	0138467	0138467	Receptacle, 15A
33	9800084	9800084	Plug
34	9800086	9800086	Screw lock (4)
35	9800078	9800078	Coupler (2)
36	0138449A	0138449A	Enclosure weldment with insulation
37	0138485	0138485	Plug (8)
38	9805439	9805439	Screw (8)
39	9821503	9821503	Lock washer (4)
40	770-601	770-601	Washer (4)
41*	0138691A	0138691A	Heater block assembly, 3 stack
42	0138991	-----	Power distribution block

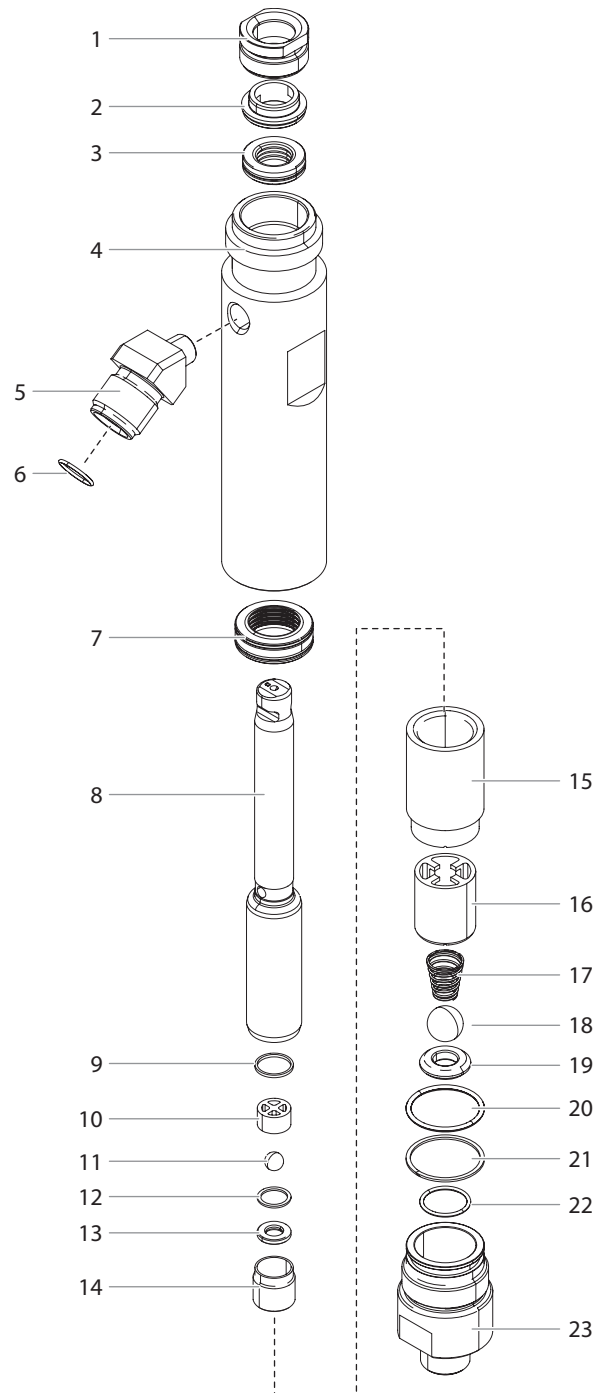
* See separate listing

DISPLAY ASSEMBLY



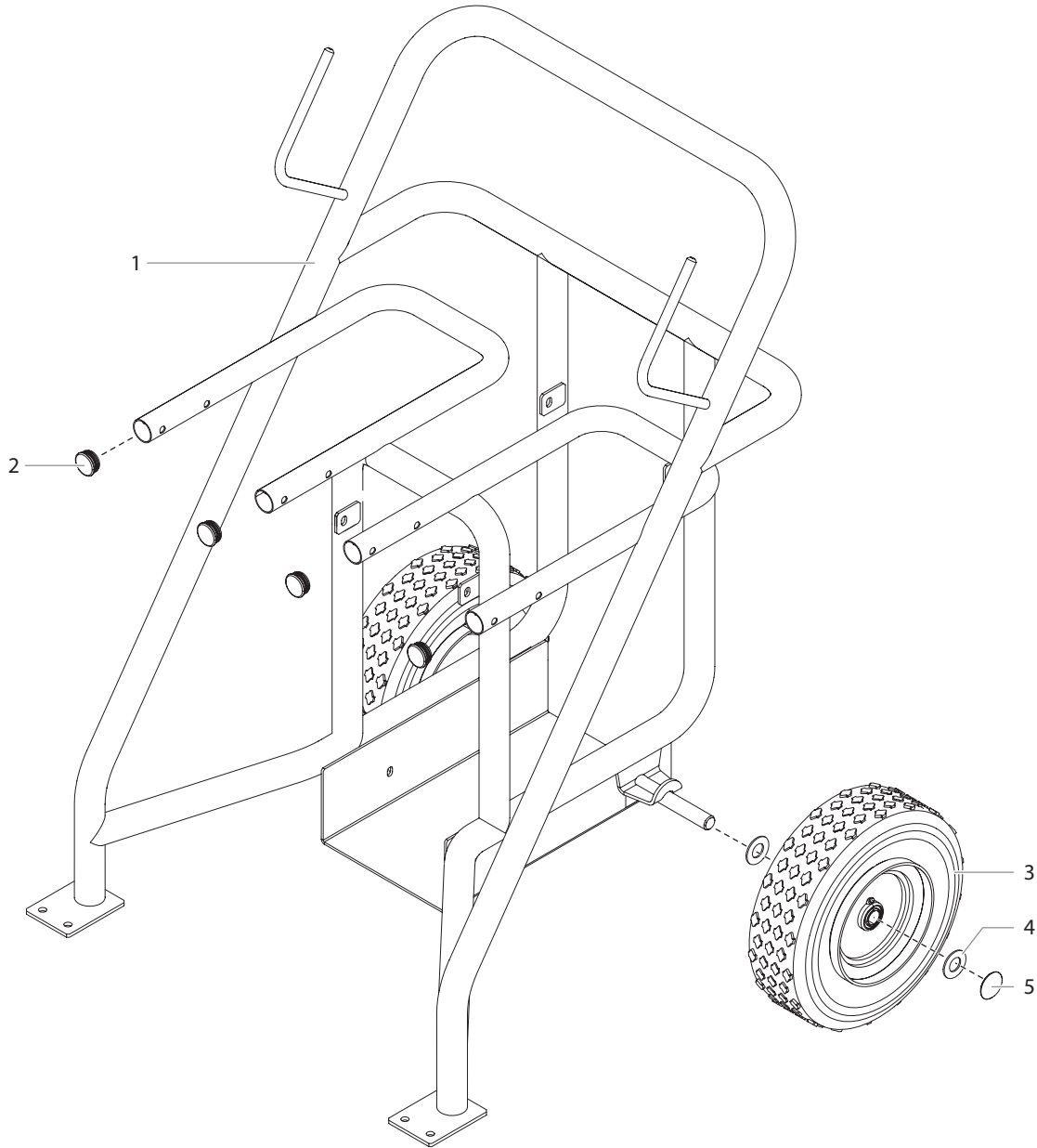
Pos.	Helix A / B 0138060	Helix A / B 0138013	Description
1	0138462A	0138462A	Display cover
2	700-139	700-139	Screw (4)
3	9812335	9812335	Nut (2)
4	9812334	9812334	Nut (6)
5	9822646	9822646	Washer (6)
6	805-401	805-401	Display (2)
7	0138527	0138527	Spacer (6)
8	700-139	700-139	Screw (2)
9	0522577	0522577	Relay, 30A
10	855-914	855-914	Lock nut (2)
11	0138935	0138935	Controller (2)
12	0138936	0138936	Controller
13	0522516	0522576	Emergency stop button
14	700-175	700-175	Cap (2)
15	700-159	700-159	Control knob (2)
16	0138863	0138863	Control knob label (2)
17	700-176	700-176	Nut with seal (2)
18	704-293	704-293	Mounting plate (2)
19	0138457A	0138457A	Display weldment with label
20	0138510	0138510	Spacer (4)
21	0522524	0522524	Relay (2)
22	0522543	0522543	Potentiometer assembly
23	9822631	9822631	Washer (4)
24	855-914	855-914	Nut (4)
25	0522515	0522515	Circuit breaker, 12A (4)
26	0522513	0522513	Circuit breaker, 1.5A

FLUID SECTION



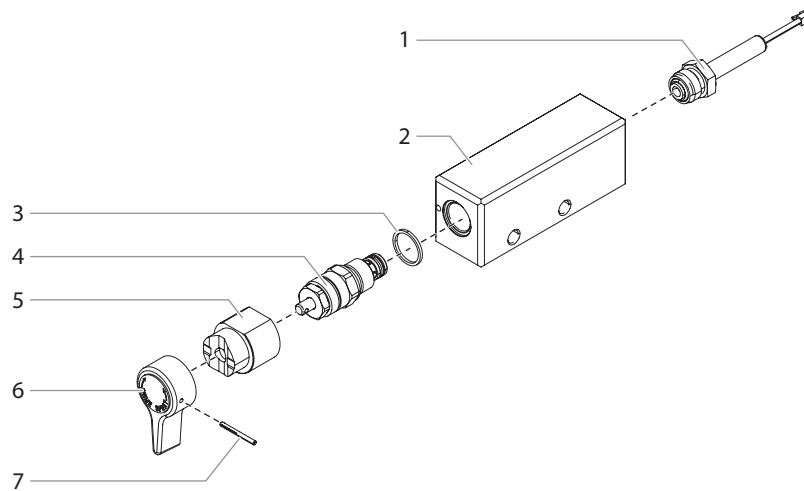
Pos.	Helix A 0138039A	Helix B 0138277A	Description
1	0138899	805-545	Retainer
2	805-551	805-551	Spacer
3	0509123A	0509123A	Upper packing
4	0138898	805-519	Cylinder
5	805-587	805-587	Fitting
6	9871189	9871189	O-ring
7	0558582A	0558582A	Lower packing
8	0558564A	0558564A	Piston rod
9	800-348	800-348	Upper seal
10	0507452	0507452	Upper ball guide
11	9841502	9841502	Outlet valve ball
12	0507454	0507454	Washer
13	0294516	0294516	Outlet valve seat
14	800-336	800-336	Outlet valve retainer
15	0509511	0509511	Adapter
16	0138411	0138411	Lower ball guide
17	0138406	0138406	Spring
18	51519	51519	Inlet valve ball
19	00310	00310	Inlet valve seat
20	800-332	800-332	O-ring, Viton
21	800-333	800-333	Backup ring
22	9871218	9871218	Inlet valve seal
23	0138481	0138481	Inlet valve housing
	805-267A	805-267A	Piston assembly (includes items 8-14)
	0558981	0558981	Fluid section service kit (includes items 2-3, 7, 9, 11, 13, 18 and 20-22)

CART ASSEMBLY



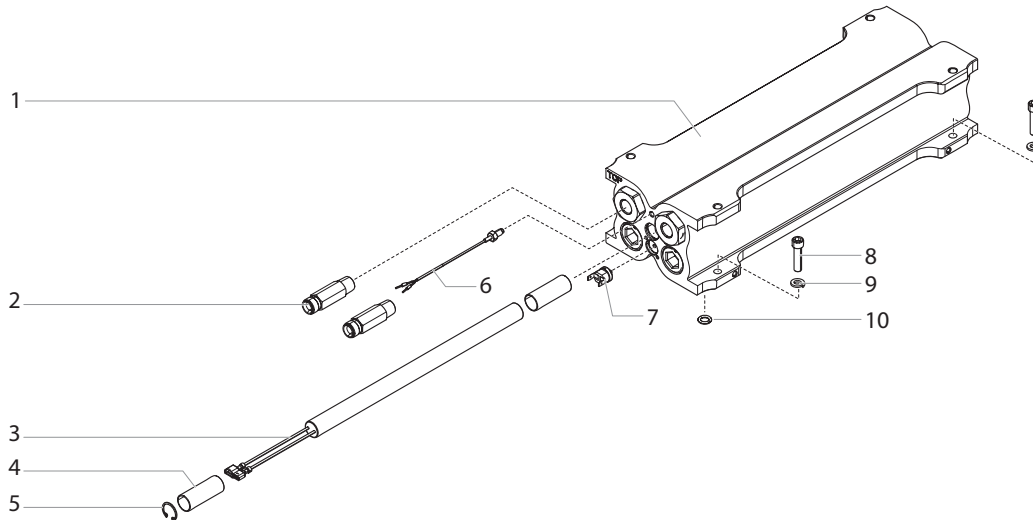
Pos.	Helix A / B	Description
1	0138288A	Cart assembly (includes items 3-5)
2	0294635	Plug (4)
3	670-109	Wheel (2)
4	0295687	Spacer (4)
5	800-019	Axle cap (2)

PRIME/SPRAY VALVE ASSEMBLY



Pos.	Helix A	Helix B	Description
1	800-437	800-437	Transducer assembly
2	0138424A	0138424A	PRIME/SPRAY assembly manifold
3	700-537	700-537	Gasket
4	0558727	0558727	Bypass valve assembly, includes item 3
5	700-252B	700-252B	Cam base
6	0138499	0138498	Relief valve knob
7	700-759	700-759	Groove pin

SUREFIRE™ HEATER BLOCK



Pos.	Helix A / B	Description
1	0138638A	Heater block, top (includes item 2 and 10)
	0138639A	Heater block, middle (includes item 10)
	0138640A	Heater block, bottom (includes item 2 and 10)
2	507671	Adapter fitting (2)
3	0138470	Firestick rod
4	0138497	Spacer (2)
5	9822558	Retainer ring (2)
6	0138501	Thermocouple
7	0138492	Thermostat
8	9805280	Screw (4)
9	860-002	Washer (4)
10	9871228	O-ring (2)